

Warning

Use caution during installation. The user assumes all risk of injury during set up and use. Follow all safety precautions to avoid injury.

- Never set up or continue to use this product in potentially inclement weather including wind, rain, snow and lightning storms. Wind and rain may damage the canopy which could result in injury to the users. The canopy should not be used as a shelter during heavy or prolonged rainfall.
- Your Caravan® Canopy is designed for temporary use and not as a permanent structure. Do not leave the canopy erected or unattended for extended periods of time.
- Always anchor your Caravan® Canopy stakes or weights.
- Do not use this canopy near an open fire or any heat source.
- Use caution when opening and closing the frame and take care to avoid pinching fingers.

Canopy Care

- Make sure all fabric is completely dry before storing to avoid mildew.
- Spot clean with a mild soap and water. Do not bleach, dry clean, or use a washing machine on any portion of the fabric.
- If the frame becomes loose, gently tighten bolts.
- Seam sealer from a local hardware or sporting goods store can be used on the top if leaking occurs.
- The frame performs better if lubricated with silicone spray periodically. Wipe excess so spray does not damage fabric.

Patents

This product is covered under one or more of the following patents:

US 7,240,686; US 7,395,830; US 7,360,549; US 5,794,640; US 5,944,040; US 6,152,157; US 6,575,656; US 7,428,908; US RE40657; CA 2455021; CA 2475232; CA 2447952; GB 2398346; GB 2404932; GB 2392459; GB 2406107; GB 2410041; AU 2002247358; AU 2004203308; MX 258677; MX 253095; MX 255037; MX 257982; MX 260203; CN 10070286; CN 485867
Manufactured under license to U.S. Patent No. 5,224,001



Warranty | Garantía | Garantie

Caravan® Global warrants each part of this product to be free of defects in workmanship or materials for a period of one year after the date of purchase. The warranty is offered to the original purchaser only who provides a dated sales receipt as proof of purchase.

The sole obligation of Caravan® Global under this warranty or any other legal obligation, with respect to the product, is repair or replacement by Caravan® Global or its authorized representative, of the missing or defective part(s) causing malfunction with new parts after review and examination by Caravan® Global.

Under no circumstances will the retail customer, user, authorized representative or other person be entitled to any direct, special, indirect, consequential or exemplary damages for breach of contract or otherwise. Under no circumstances will any person be entitled to a sum greater than the purchase price of the malfunctioning part. No Caravan® Global authorized representative or person other than an officer of Caravan® Global may extend this warranty. There are no other warranties from either Caravan® Global or its representatives which extend the face of this warranty. All other warranties, expressed or implied, including the warranties of merchantability, fitness for a particular purpose and fitness for use are excluded.

This warranty does not cover damage by forces of nature including wind, rain, and snow, nor accidental or deliberate damage, or improper use. The warranty is void if the product has been altered or modified. Before returning any item, please contact Caravan® Global for specific shipping instructions. All shipping costs must be prepaid and Caravan® Global does not assume responsibility for products damaged in transport.

Accessories

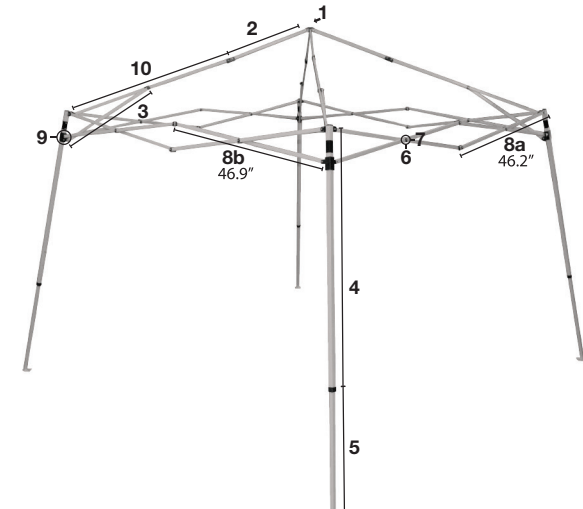
To enhance your experience with your Caravan® Canopy, optional accessories are available.



Reference Manual



10' X 10' Slant Leg Canopy



Replacement Parts (877)-922-6679

<http://www.caravancanopy.com/contact/contact-parts-department>

1.	#30007801000	Dome Cap
2.	#31207836000	Truss Corner Upper Bar
3.	#31007839000	Truss Support Bar
4.	#31007811000	Outer Leg
5.	#31007803000	Inner Leg
6.	#30007805000	Joint Bolt & Nut
7.	#30007806000	Joint Washer & Cap
8a.	#31007817000	Truss Bar
8b.	#31007817001	Truss Bar
9.	#31007936000	Slider Bracket 2 Way
10.	#31207837000	Truss Corner Lower Bar

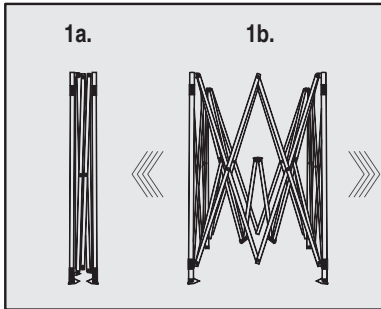


CARAVAN® GLOBAL • 14600 Alondra Blvd. • La Mirada, CA 90638
(877)-922-6679 • (714)-367-3000 • www.caravancanopysports.com

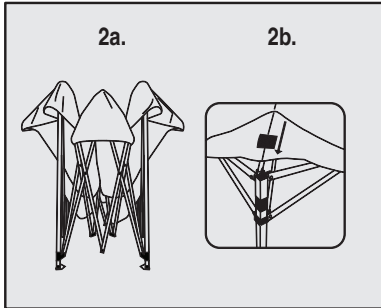
Copyright © 2014 Caravan® Global. All Rights Reserved. Derechos reservados. Tous droits réservés. SNG-YV-VER01

Setup

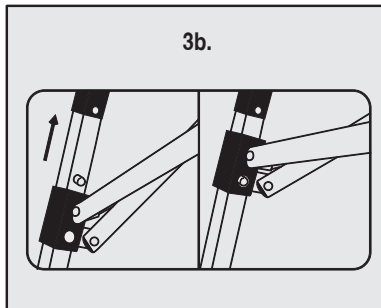
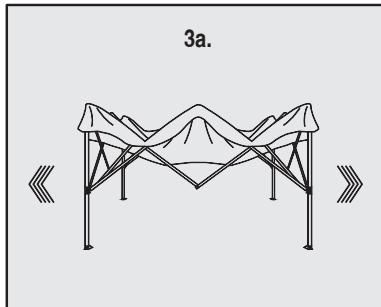
(1a.) Place the Caravan® frame in the center of the desired location. (1b.) Stand opposite a partner and lift frame off of the ground walking backwards away from partner.



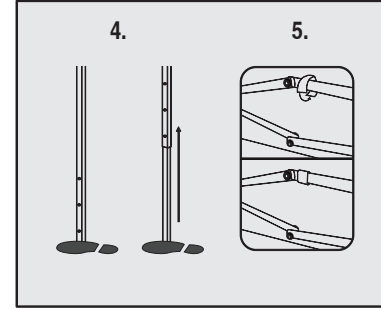
(2a.) Place canopy top over partially opened frame. (2b.) Align corners of the top and the frame and attach hook and loop strips to leg of frame.



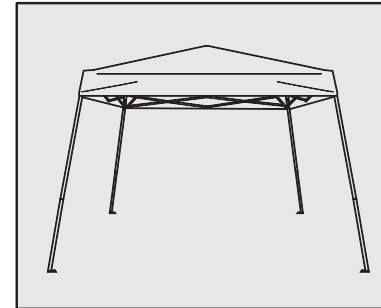
(3a.) Open frame completely (3b.) and engage the slider at each corner by placing one hand on the truss and one hand on the leg and pushing up until the slider “clicks” in place.



(4.) Extend inner leg to raise canopy to the desired height.

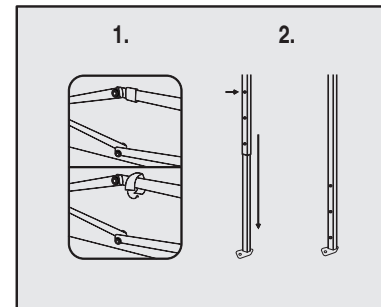


(5.) Attach hook and loop strips to each corner and overhead truss bars then pull the elastic bands tight and connect the “J” bracket to a valance truss bar to ensure a tight fit.



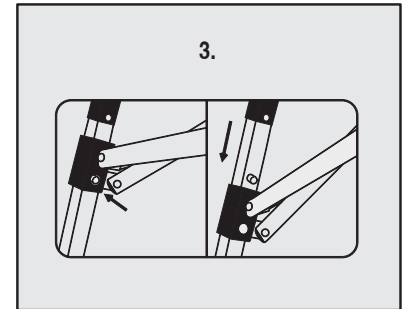
Take Down

(1.) Detach hook and loop strips and elastic bands that secure the top to the frame.

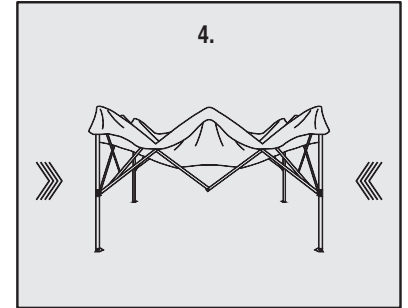


(2.) Raise a leg off the ground and depress snap button or pull the pin on the slider to disengage the lower leg. Repeat until all four legs have been lowered.

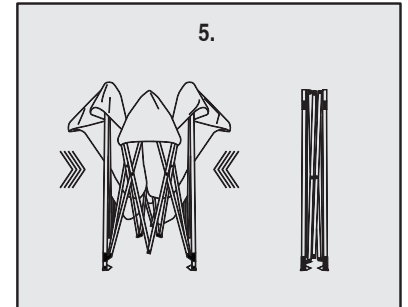
(3.) Depress snap button or pull the pin on the slider at the corner bracket to disengage the frame and allow it to close.



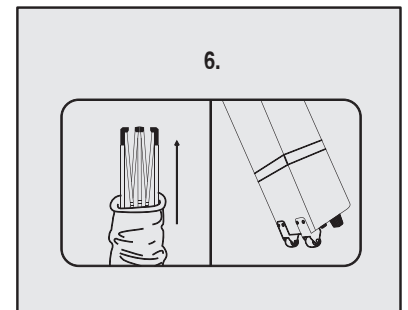
(4.) Stand opposite a partner and grasp the lower truss bar. Lift the frame off the ground and slowly walk toward partner being careful not to pinch fingers.



(5.) Remove canopy top and completely close frame.



Caravan® recommends storing canopies without the tops to avoid mildew and pinch tears.



(6.) Store frame and top in roller bag.



CARAVAN® GLOBAL • 14600 Alondra Blvd. • La Mirada, CA 90638
(877)-922-6679 • (714)-367-3000 • www.caravancanopysports.com
Copyright © 2014 Caravan® Global. All Rights Reserved. Derechos reservados. Tous droits réservés. SNG-YV-VER01